

## JS-8 Series



### Introduction

JS-8 Interconnect Box provides order, compact and simple connecting solution for users. We provide two different types of JS-8 series: Manual and Electronic.

Manual JS-8 is pneumatic movement and mechanical latching mechanism to open and close. Electronic JS-8 is motor driven Interconnect Box. Press UP button, the cover will raise smoothly, showing the available connections on four sides; Press down button, the cover will close smoothly.

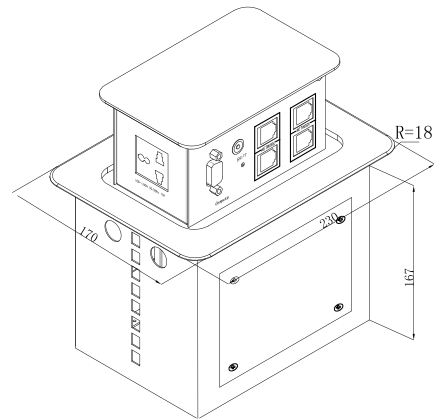
### Product Features

- The panel rises and down vertically;
- Durable pneumatic movement and mechanical latching mechanism/motor driven;
- Connectors on each side, panel can be changed, customized
- RJ-45 interface should be used in network, data, phone connector (CAT.5/CAT.6);
- With 1.7m cable;
- Top surface available in brushed black or silver finishes, custom finishes is accepted;
- Various cables and connections, can meet many demands.

CCC Certificate Number: 2013010201596383

CE Certificate Number: N° VTUPV-269/2011Zahr

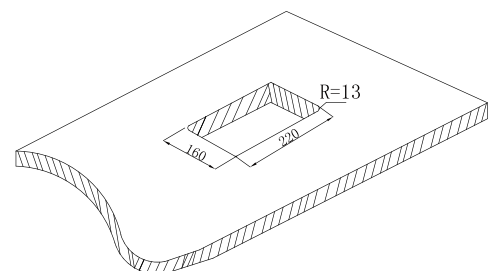
ROHS Certificate Number: W02171017304C



Overall Dimension ( mm )

### Main Specifications

Model	JS-8
Table Thickness	Maximal 60mm, 125mm(to be connected to extended part)
Temp. range	0 ~ 50°C (Non-condensing)
Weight	About 5.5kg
Dimensions	Panel: 230mm*170mm R=18mm Cutout Dimension: 220mm*160mm R=13mm Package: 340mm*220mm*270mm



Cutout Dimension ( mm )