

JS-570TX

- CHDBT™
- HDCP
- 4K
- 1080P/60Hz
- PoC



Overview

JS-570TX is a HDBaseT Transmitter uses Cat6 Ethernet cable to transmit VGA, Audio or HDMI signals and extends the length of HDMI signal up to 70 meters. Delivering uncompressed video & digital audio to a network of devices or to a single device (point to point). It supports resolutions up to 1080P@60Hz and Blu-Ray Player and it is HDCP Compliant (Optional).

Product Features

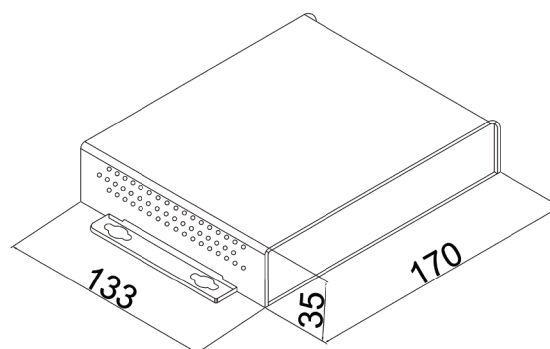
- Transmits HD video, audio and 1080p signals up to 70m over the twisted pair CAT6 cable(4K signal up to 40m);
- Supports 1920x1200 1080P@60Hz 4K 30Hz signal transmission, YCbCr 4:2:0;
- Input support: VGA+ Audio, HDMI signal;
- HDBaseT compliant;
- Supports HDMI 1.4 version; HDCP 2.0 version;
- Automatically get EDID (extended display identification data) of the display device;
- It can be used with JS-WP, JS-DC series receivers;
- With RS232 control capability;
- With IR Control.

Main Specification

Video Input: 1* HDMI, 1*15 pin VGA + Audio
 Input connector type: 1 x HDMI [Type A, 19-pin female],
 1 xHD-15 VGA, 1x3.5mm Audio
 Output: 1xHDBaseT, 1xDe-embedding Audio
 Output connector type: RJ45/8(HDBaseT signal)
 Transmission protocol: HDBaseT compliant

Audio Frequency Response:20Hz-20KHz; CMRR: CMRR
 >75dB @ 20Hz-20KHz
 Input Impedance: >10KΩ
 Input Level(Max): +21 dBu
 SNR: >75dB @ 20Hz-20KHz
 Type: Stereo Analog, Unbalance

Environmental Standard: HDMI 1.4 version HDCP 2.0 version
 Transmission distance: 70m (1080P signal) 40m (4K@30Hz signal)
 Bandwidth: 10.2Gbps
 Power: 100 ~ 240V (build in 24V converter) support double-sided PoC power supply
 Power: ≤ 20W
 Operating temperature: -10° C ~ +55° C
 Humidity: 20% ~ 95%RH (Non-condensing)



Overall Dimension(mm)