

JS-DC100HDRX



Overview

JS-DC100HDRX Floor Box can be used as a receiver for the HDBaseT output from JS Long distance transmit interconnect box, it provides economical means of extending 1080p/ 60Hz video signals up to 100 meters. It not only transmits HD signals but also supports both HDCP and CEC. For digital signals which carry high definition images, this extender perfectly prolongs the transmission distance in a low-cost networking solution.

Product Features

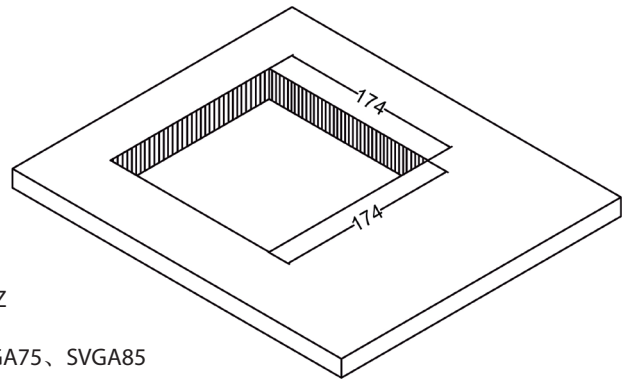
- HDMI 1.4, HDCP 2.0 compliant;
- Supports maximum 1080P/UXGA HD input, and output has the same resolution as the input;
- Supports 3D 4K 2K;
- Device running indicator light;
- Link indicator light;
- HDCP protocol safe indicator light;
- HDBaseT compliant;
- With RS232 control capability;

Main Specification

Receiver input port: 1 X Cat6 RJ45 8pin
Receiver output port: 1 X HDMI socket

Resolution 720P50/60、1080i 50/60HZ、1080p 50/60HZ
HDTV: 640x480=VGA72、VGA75、VGA85
PC : 800x600=SVGA56、SVGA60、SVGA72、SVGA75、SVGA85
 1024x768=XGA60、XGA70、XGA75、XGA85
 1280x1024= SXGA60、SXGA75、SXGA85
 1600x1200=UXGA60
 1920x1200=WUXGA

Dimension Panel: 180mm*180mm*4mm
 Box Dimension 172mm*172mm*65mm



Cutout Dimension(mm)

CONNECTOR OPTIONS

