

# JS-DC170HDRX

- **HDBT™**
- **HDCP**
- **4K**
- **1080P/60Hz**
- **PoC**



## Overview

JS-DC170HDRX Floor Box can be used as a receiver for the HDBaseT output from JS Long distance transmit interconnect box, it provides economical means of extending 1080p/ 60Hz video signals up to 70 meters. It not only transmits HD signals but also supports both HDCP and CEC. For digital signals which carry high definition images, this extender perfectly prolongs the transmission distance in a low-cost networking solution.

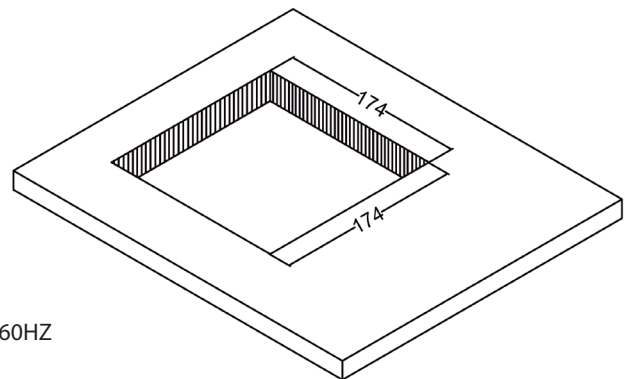
## Product Features

- HDMI 1.4, HDCP 2.0 compliant;
- Supports maximum 1080P/UXGA HD input, and output has the same resolution as the input;
- Supports 3D 4K 2K;
- Device running indicator light;
- Link indicator light;
- HDCP protocol safe indicator light;
- HDBaseT compliant;
- With RS232 control capability;
- Supports PoC function.

## Main Specification

Receiver input port: 1 X Cat6 RJ45 8pin  
 Receiver output port: 1 X HDMI socket  
 Resolution: 720P50/60、1080i 50/60HZ、1080p 50/60HZ  
 HDTV: 640x480=VGA72、VGA75、VGA85  
 PC: 800x600=SVGA56、SVGA60、SVGA72、SVGA75、SVGA85  
 1024x768=XGA60、XVG70、XGA75、XGA85  
 1280x1024= SXGA60、SXGA75、SXGA85  
 1600x1200=UXGA60  
 1920x1200=shorten edge blanking WUXGA

Dimensions: Panel: 180mm\*180mm\*4mm  
 Box Dimension: 172mm\*172mm\*65mm



Cutout Dimension(mm)

## CONNECTOR OPTIONS

