

JS-WP370HD

- **HDBT™**
- **HDCP**
- **4K**
- **1080P/60Hz**
- **PoC**



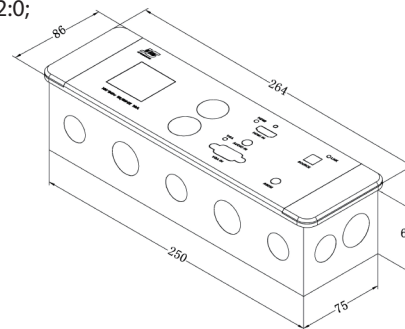
Overview

JS-WP370HD is a Wall Plate which supports HD conversion and long distance transmission. It can transmit VGA, Audio or HDMI signals up to 70 meters over one CAT6 cable which is easy to install.

JS-WP370HD delivers uncompressed video & digital audio to a network of devices or to a single device (point to point). It supports resolutions up to 1920x1080P@60Hz and Blu-Ray Player and it is HDCP Compliant (Optional).

Product Features

- Transmits HD video, audio and 1080p signals up to 70m over the twisted pair CAT6 cable(4K signal up to 40m);
- Supports 1920x1200 1080P@60Hz 4K 30Hz signal transmission, YCbCr 4:2:0;
- Input support: VGA+ Audio, HDMI signal;
- HDBaseT compliant;
- Supports HDMI 1.4 version; HDCP 2.0 version;
- Supports PoC function.
- Supports auto /manual signal switch two operations;
- Supports HDCP, EDID compliant and DDC function;
- Audio De-embedding function(3pin terminal output).

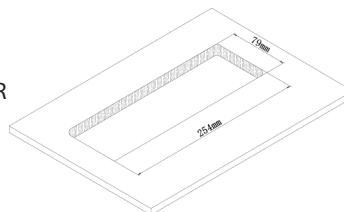


Overall Dimension(mm)

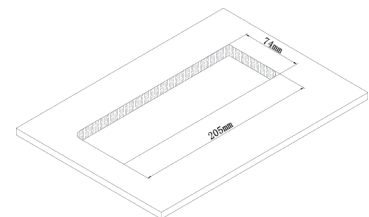
Main Specification

Video Input: 1* HDMI, 1*15 pin VGA + Audio
 Input connector type: 1 x HDMI [Type A, 19-pin female], 1 xHD-15 VGA, 1x3.5mm Audio
 Output: 1xHDBaseT, 1xDe-embedding Audio
 Output connector type: RJ45/8(HDBaseT signal), 3P termianl(De-embedding Audio)
 Transmission protocol: HDBaseT compliant

Audio Frequency Response:20Hz-20KHz; CMRR: CMRR
 >75dB @ 20Hz-20KHz
 Input Impedance: >10KΩ
 Input Level(Max): +21 dBu
 SNR: >75dB @ 20Hz-20KHz
 Type: Stereo Analog, Unbalance



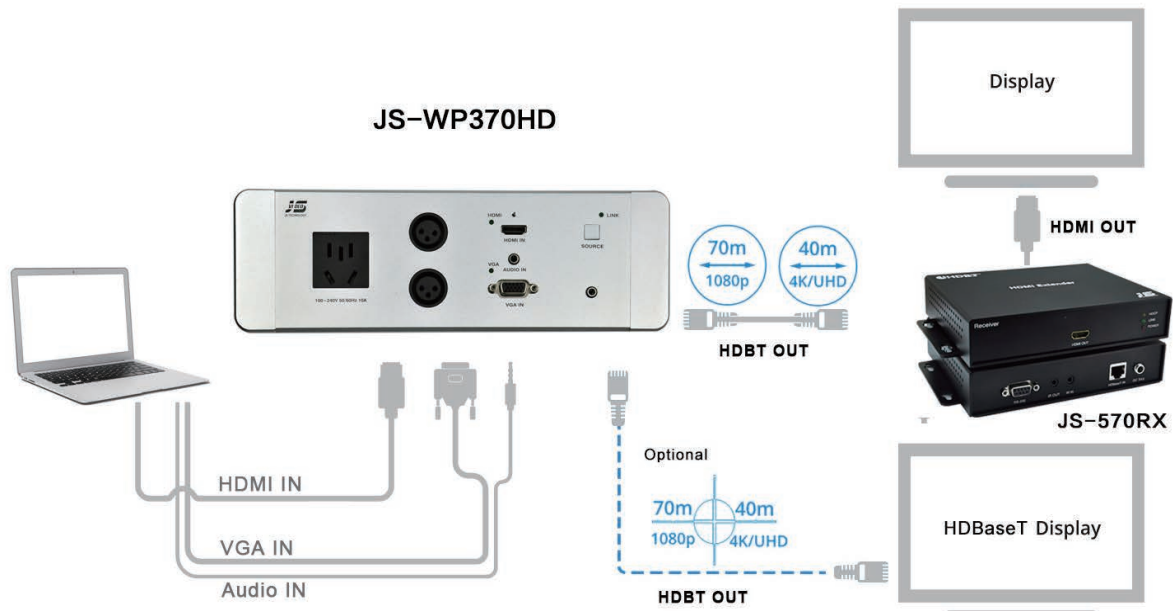
Wall Cutout Dimension
(Please match with bottom box)
(mm)



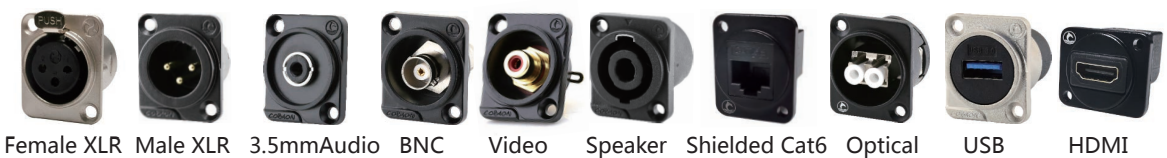
Bottom Box Dimension
(mm)

Environmental	Standard: HDMI 1.4 version HDCP 2.0 version Transmission distance: 70m (1080P signal) 40m (4K@30Hz signal) Bandwidth: 10.2Gbps Power: 100 ~ 240V (build in 24V converter) support double-sided PoC power supply Power: ≤ 20W Operating temperature: -10° C ~ +55° C Humidity: 20% ~ 95%RH (Non-condensing)
Dimension	Panel: 264mm*86mm Bottom box: 250mm*75mm*60mm Wall Cutout Dimension: 254mm*79mm*65mm Table Cutout Dimension: 205mm*74mm

Connection diagram



CONNECTOR OPTIONS



AC OUTLET OPTIONS

