

JS-Z300+



Description

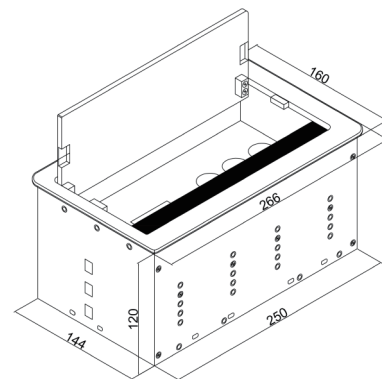
JS-Z300+ Interconnect Box Integrates the box body and various interface to provide an orderly, simple and compact conference connection solution. Adopt flip-top design and concealed installation, keeping the panel flush with the desktop, makes connection more easier.

Product Features

- With cover-lift;
- The brush at the bottom can keep out dusts and contaminants;
- The height of the interface can be adjusted up or down according to needs;
- The supported connectors with power, USB-A Type-C Charger (PD 65W);
- Multi D-port module types are available;
- Aluminium alloy panel, black/silver colors are available.

Main Specification

Model	JS Z300+
Temp. range	0 ~ 50°C (Non condensing)
Weight	About 2.15kg
Dimensions	Panel:266mm*160mm Cutout Dimension : 255mm*149mm R=2mm (Suggest to open hole as real product)



Overall Dimension (mm)

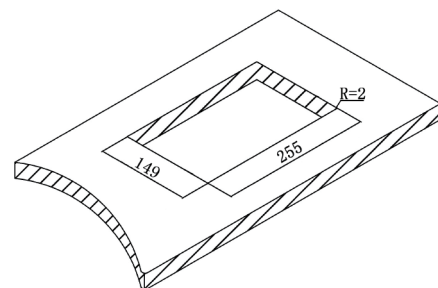
CONNECTOR OPTIONS



Female XLR Male XLR 3.5mmAudio BNC Video



Speaker Shielded Cat6 Optical USB HDMI



Cutout Dimension (mm)

AC OUTLET OPTIONS



China Universal UK 2-Pin Europe SA France US Australia